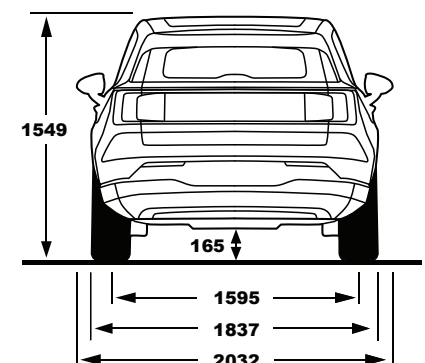
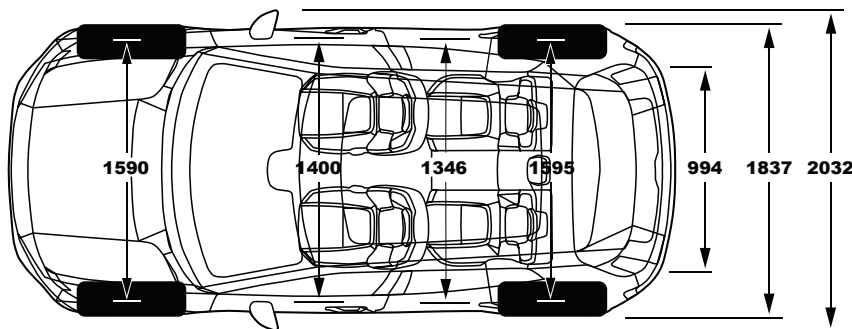
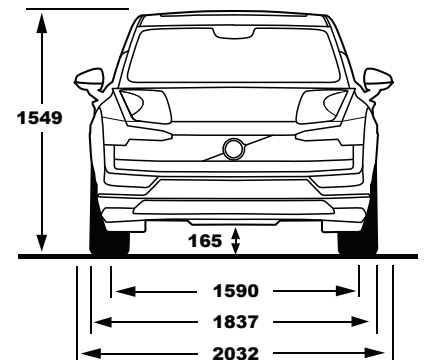
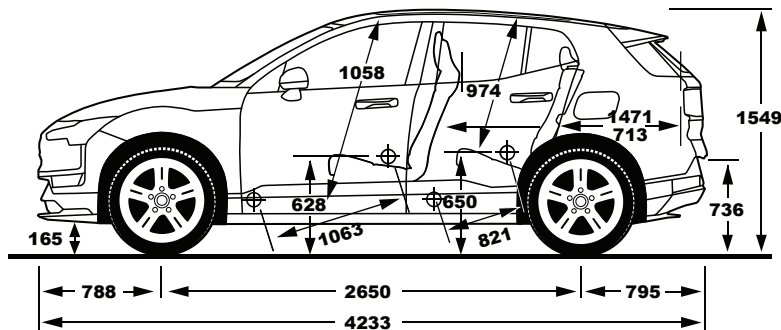


Volvo EX30: Technical Specifications (metric)

| ENGINES | Single Motor (E400V10 / EM) | Single Motor Extended Range (E400V18/EL) | Twin Motor Performance (E400V12/EK) |
|---|-------------------------------|--|-------------------------------------|
| Type | Electric motor rear | Electric motor rear | Electric motor front / rear |
| Electrical motor max output, kW (kW/engine) (hp)/rpm (metric) | 200 (200) (272) / 5375 - 9248 | 200 (200) (272) / 5375 - 9248 | 315 (115 + 200) (428) / 5375 - 9536 |
| Max torque, Nm (Nm/engine) /rpm (metric) | 343 (343) / 116 - 5375 | 343 (343) / 116 - 5375 | 543 (200 + 343) / 112 - 5475 |
| PERFORMANCE | | | |
| Acceleration, 0–100 km/h (sec) | 5.7 | 5.3 | 3.6 |
| Top speed, km/h | 180 | 180 | 180 |
| BATTERY | | | |
| Battery content, total amount of energy, (kWh) (Nominal) | 51 | 69 | 69 |
| Battery content, total amount of energy, (kWh) (Usable) | 49 | 64 | 64 |
| CHARGING | | | |
| AC 3-Phase, (h) (32A fuse) (**) | n/a / n/a / n/a | n/a / n/a / 4.0 | n/a / n/a / 4.0 |
| AC 3-Phase, (h) (16A fuse) (**) | n/a / 6.0 / n/a | n/a / 7.5 / 8.0 | n/a / 7.5 / 8.0 |
| DC, min (50 KW)* (min) | 48 | 56 | 56 |
| DC, min (150 KW)* (min) | 26 | n/a | n/a |
| DC, min (175 KW)* (min) | n/a | 26.5 *** / 28.0 **** | 26.5 *** / 28.0 **** |
| * (10-80% loading rate, battery temp 20-35 deg C) | | | |
| ** "On Board Charger" 7.2 kW / 11 kW / 22 kW | | | |
| *** CALB MC 10 & 19 **** RoW | | | |
| RANGE | | | |
| Electric Range, (WLTP) (Km) (EU) | Estimated up to ~344 | 476 - 462 | 450 - 445 |
| Electric Consumption kWh / 100 km | from 16.7 | 16.9 - 17.5 | 17.4 - 18.00 |



MEASUREMENTS AND VOLUMES

EXTERIOR MEASUREMENTS (CM)

| | |
|--|-------------|
| Length (L103) | 423.3 |
| Width (body width) (W116) | 183.7 |
| Width (incl mirrors folded) (W145) | 194.0 |
| Width (incl mirrors outer edge) (W144) | 203.2 |
| Vehicle height with open tailgate/trunklid (at curb weight) (H110) | 205.8 |
| Vehicle height with open tailgate/trunklid (H251) | 186.8 |
| Height (at curb weight) (H101) | 155.5 |
| Height (at curb weight) + 1 person (H101) | 154.9 |
| Wheelbase (L101) | 265.0 |
| Overhang (front/rear) (L104 / L105) | 78.8 / 79.5 |
| Track, front width (W101-1) | 159.0 |
| Track, rear width (W101-2) | 159.5 |
| Ground clearance (at curb weight) (H156) | 17.7 |
| Ground clearance (at curb weight + 1 person) (H156) | 16.5 |
| Wading capability (depth at walkingspeed, at curb weight) | 50.0 |

WEIGHTS/MISCELLANEOUS

| | |
|--|---------------------------|
| Weight*, kg (min-max, depending on setup) (Curb weight/ Mass in Running order) | 1765 - 1885 / 1840 - 1960 |
| Max. trailer weight, kg (E400V10 / E400V18 / E400V14) | 1000 / 1400 / 1600 |
| Max roof load, kg | 75 |
| Approach angle (degr.) (A116-1) | 17.9 |
| Breakover angle (degr.) (A117) | 16.3 |
| Departure angle (degr.) (A116-2) | 24.5 |
| Drag coefficient, Cd | 0.28 |

* Depending on setup

INTERIOR MEASUREMENTS (CM)

| | |
|--|---------------|
| Headroom maximum, without panoramic sunroof (front)(H62-1) | 102.2 |
| Headroom maximum, with panoramic sunroof (front)(H62-1 SR) | 105.8 |
| Headroom without panoramic sunroof (front / rear)(H61-1 / H61-2) | 98.0 / 93.5 |
| Headroom with panoramic sunroof (front / rear)(H61-1SR / H61-2SR) | 101.8 / 97.4 |
| Passenger comp width at shoulder height (front / rear)(W3-1 / W3-2) | 140.0 / 134.6 |
| Hip room front/rear (front / rear) (W5-1 / W5-2) | 137.9 / 117.5 |
| Leg room (front/rear)(L34 / L51-2) | 106.3 / 82.1 |
| Largest Luggage volume - First (V214-1) (including under floor storage, V209) (Largest volume. Load height limited by the head lining. Front limited by vertical plane tangential to the rear side of the front seatback) (1) | 904 |
| Largest Luggage volume - Second (V214-2) (including under floor storage, V209) (Second seat up. Load height limited by the headlining. Front limited by vertical plane tangential to the rear side of the second seatback) (1) | 400 |
| Open Luggage Compartment - First (V211-1) (including under floor storage, V209) (Second seat folded. Load height limited to upper edge of the front seatback or lower edge of the rear window) (1) | 622 |
| Open Luggage Compartment - Second (V211-2) (including under floor storage, V209) (Second seat up. Load height limited to the upper edge of the second seatback or second window) (1) | 318 |
| Separate Storage Areas in Luggage Compartment (V209) (Closed storage areas located around the luggage compartments, behind wheel arches, under the floor, or any other area) (1) | 61 |
| Front luggage volume (without rep kit and spare wheel) (1) | 7 |
| Cargo length from the first seatback to the tailgate measured at: the height of the floor covering (L212-1) | 147.1 |
| the top of the first seatback (L214-1) | 135.5 |
| Cargo length from the second seatback to the tailgate measured at: the height of the floor covering (L212-2) | 71.3 |
| the top of the second seatback (L214-2) | 56.6 |
| Cargo floor height to ground (curb weight) (H253) | 73.6 |
| Rear opening height car center line (H202) | 58.1 |
| Cargo height rear wheel center and car center line (H201) | 62.3 |
| Cargo floor width, min. between wheel housings (W201) | 99.4 |
| Rear opening width upper, min. (W205) | 89.5 |
| at floor, min. (W207) | 101.9 |

CHASSIS

| | | |
|---|-------|--|
| Suspension | front | MacPherson Suspension, Coil Springs, Hydraulic Shock Absorbers, Stabilizer Bar |
| | rear | Rear multi-link Suspension with Coil Springs, Hydraulic Shock Absorbers, Stabilizer Bar |
| Steering | | Electrical Power Assisted Rack |
| Steering ratio (angle/angle) | | 15.3 |
| Turning circle, (curb to curb/wall to wall) | | 10.7 m / 11.1 m |
| Turns of steering wheel end to end | | 2.8 |
| Braking system | | Antilock Braking System (ABS) with Electronic Brake Distribution (EBD) and Electronic Brake Assistance (EBA) |
| Braking distance, 100-0 km/h | | 38 m |
| Brake disc diameter | front | 322 mm / 350 mm (RWD / AWD) |
| | rear | 320 mm / 333 mm (RWD / AWD) |
| Brake disc thickness | front | 28 mm / 30 mm (RWD / AWD) |
| | rear | 20 mm / 20 mm (RWD / AWD) |